

ANT. GND.

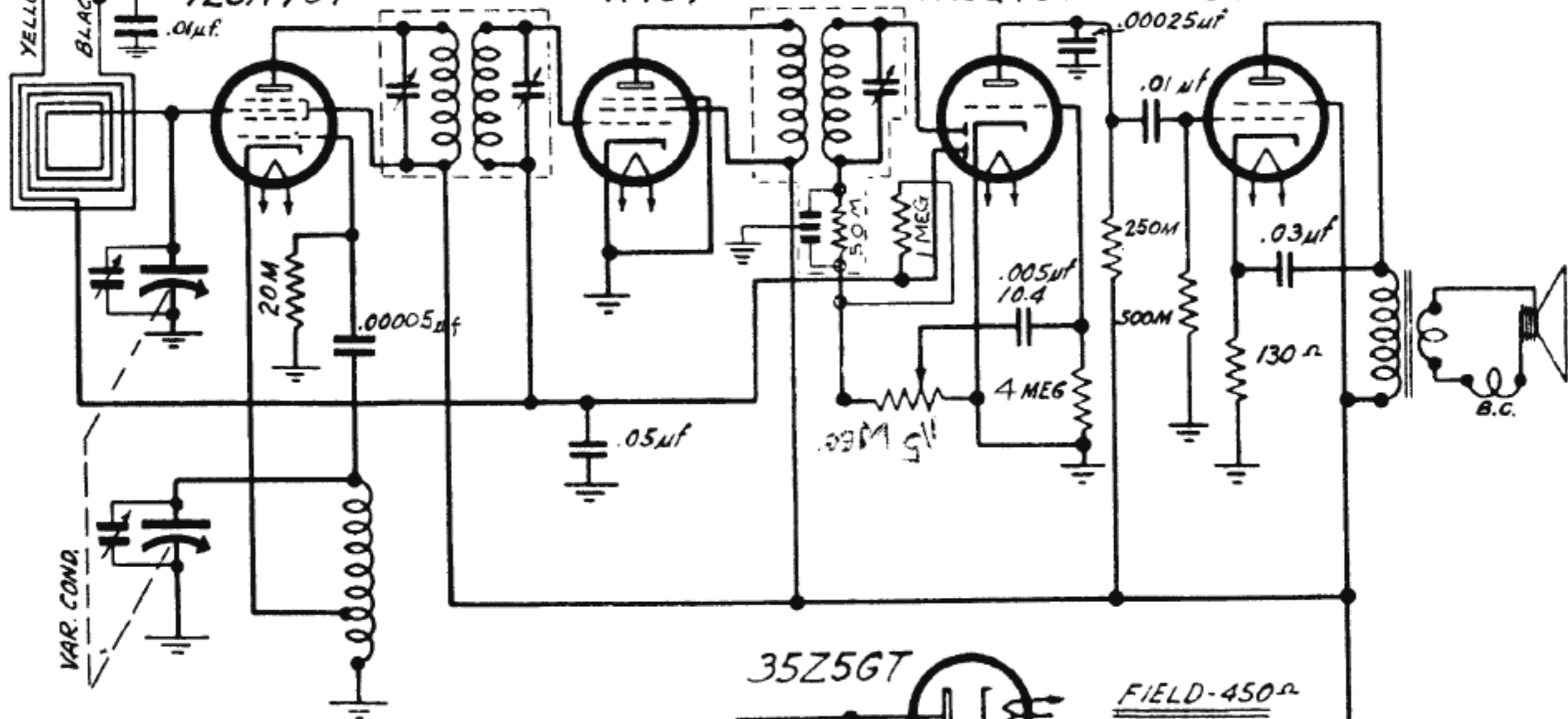


12SA7GT

125K7GT

125Q7GT

50L6GT

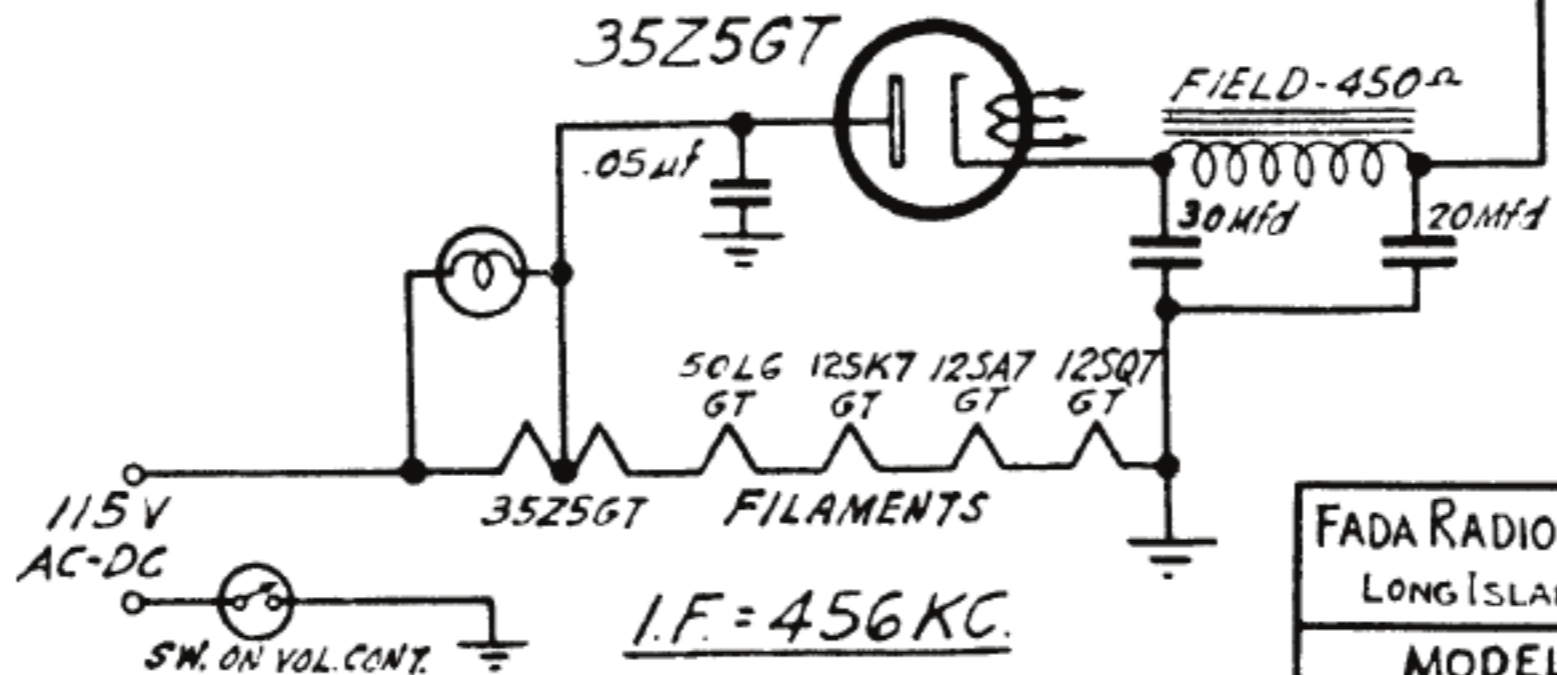


NOTE

M = THOUSAND OHMS

⊥ = CHASSIS

35Z5GT



I.F. = 456 KC.

FADA RADIO & ELECTRIC CO.
LONG ISLAND CITY, N.Y.
MODEL 148